

ED200

1/3" 380 TVL Color Mini Dome Camera



Features

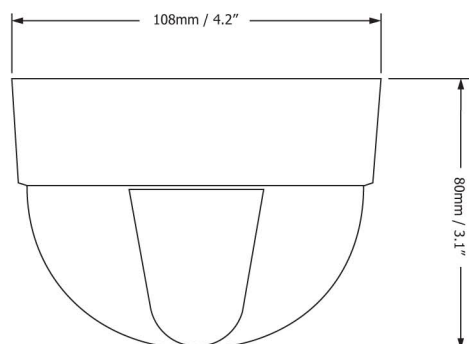
- 380 TVL of horizontal resolution
- 1/3" Sony Super HAD CCD with the light sensitivity of 0.3 lux/F=1.2
- Compact size: 108 (D) x 80 (H) mm / 4.3" (D) x 3.1" (H)
- Available in black and white base



Specifications

Pickup Device	Sony 1/3" Interline Transfer Super HAD CCD
Video Format	NTSC or PAL
Picture Format	510 x 492 NTSC / 500 x 582 PAL
Horizontal Resolution	380 TVL
Video Output	BNC 1.0 Vp-p, 75 ohm
Sensitivity	0.3 lux/F=1.2
S/N Ratio	Over 48dB
Electronic Shutter	1/50 (1/60) ~ 1/100,000 sec.
Backlight Comp.	Yes
Auto Gain Control	Yes
Auto White Balance	Yes
Gamma Correction	0.45
Sync. Mode	Internal Sync.
Lens	Standard board lens f=3.6mm/F=2.0 (Optional lens: 2.5mm, 4.3mm, 6mm, 8mm, 12mm and 16mm)
Power Source	12VDC +/- 10%, 200mA
Power Consumption	12VDC, 2.5W max.
Dimension (Approx.)	108 (D) x 80 (H) mm / 4.3" (D) x 3.1" (H)
Operating Temperature	0°C~50°C / 32°F~122°F (20~80% humidity)
Weight	Approx. 0.3 kg / 0.7 lbs.

Dimensions



(Unit: mm/inch)

Package Contents

- Camera x 1
- AV Cable x 1
- Power Cable x 1
- Desiccant x 1
- Mount Screws (package) x 1
- Manual x 1

Ordering Information

- **ED200/N-3B:** 1/3" Sony CCD, Color Mini Dome, 380 TVL, Black Base
- **ED200/N-3W:** 1/3" Sony CCD, Color Mini Dome, 380 TVL, White Base

*Also available with 2.5mm, 4.3mm, 6mm, 8mm, 12mm and 16mm lens

**To order, replace the last number with the first digit(s) of the desired lens, (e.g. 2.5mm lens w/black base = ED200/N-2B or 6mm w/white base = ED200/N-6W)