



α Series (Mini Standard)

Reference page
 Power pack P17
 Peripheral unit P.25,26
 Bit P34

High speed rotating high power driver that improves production efficiency.

Working is improved with high speed rotation 1,700r.p.m of high speed type (α -4500, α -6500).
 It's the driver with compact size, high power -5000 and high speed.
 Customers can repair by themselves because it's designed in a safe low tense output.

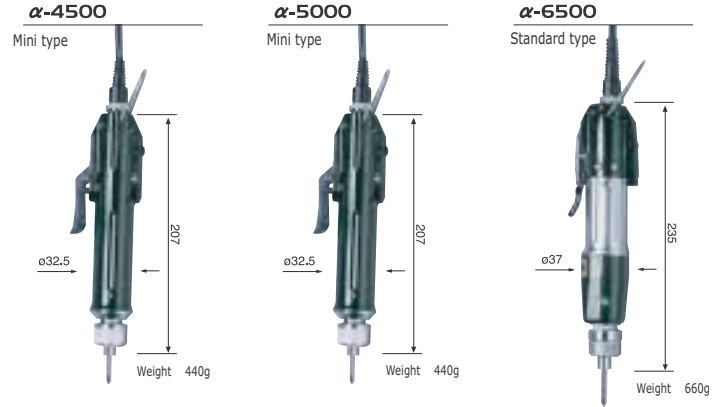


α-4500

α-4500PS

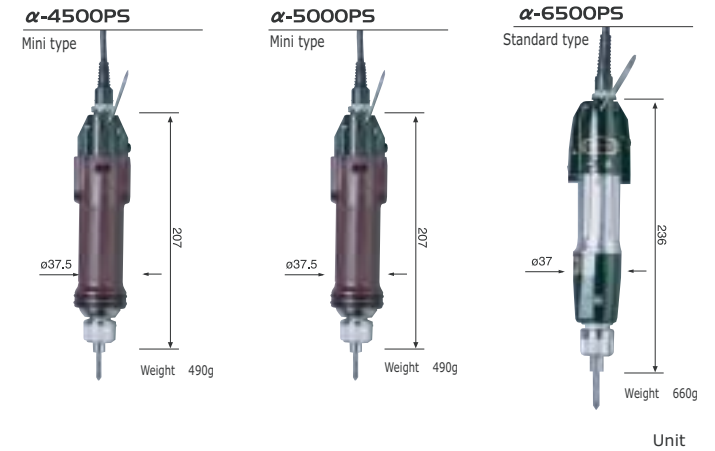
ⓘ Lever Start Type

Lever Start Type



ⓘ Push-to-Start Type

Push-to-Start Type

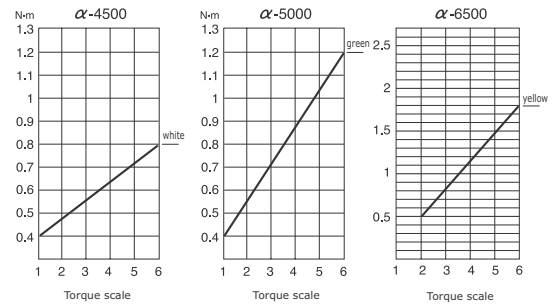


ⓘ α-Series Mini type/Standard type

Specifications

Lever Start Type model name		α-4500	α-5000	α-6500
Push-to-Start Type model name		α-4500PS	α-5000PS	α-6500PS
Output torque range	N · m	0.4~0.8	0.4~1.2	0.5~1.8
	(kgf · cm)	(4~8)	(4~12)	(5~18)
Torque switching		Stepless adjustment	Stepless adjustment	Stepless adjustment
Unloaded rotation r.p.m	HI	1700	1000	1700
	LOW	1200	700	
Available fastening Screw standard(mm)	Small screw	2.0~3.0	2.0~3.0	3.0~4.0
	Tapping screw	2.0~2.6	2.0~3.0	2.6~3.0
Suiting bit		Hios H4 or 1/4HEX	Hios H4 or 1/4HEX	Hios H5 or 1/4HEX
Suiting power	CLT-50	○	○	—
	CLT-65	○	○	○
	CLT-70	○	○	○
	CLT-100	○	○	—
	MC-70L	○	○	○
U-element	Bit (H4)	+ #1(4.0 × 40mm) 1 piece	+ #1($\phi 4.0 \times 40$ mm) 1 piece	
		+ #2(4.0 × 40mm) 1 piece	+ #2($\phi 4.0 \times 40$ mm) 1 piece	
	Bit (H5)			+ #1(5 × 6.0 mm) 1 piece
				+ #2(5 × 6.0 mm) 1 piece
Bit (1/4 HEX)	+ #1(5 × 5.0 mm) 1 piece	+ #1(5 × 5.0 mm) 1 piece	+ #1(5 × 5.0 mm) 1 piece	
	+ #2(5 × 5.0 mm) 1 piece	+ #2(5 × 5.0 mm) 1 piece	+ #2(5 × 5.0 mm) 1 piece	
Carbon brush		1 pair	1 pair	1 pair
Cord		5P	5P	5P

Output torque standard list



mark on suitable power shows possibility of use.